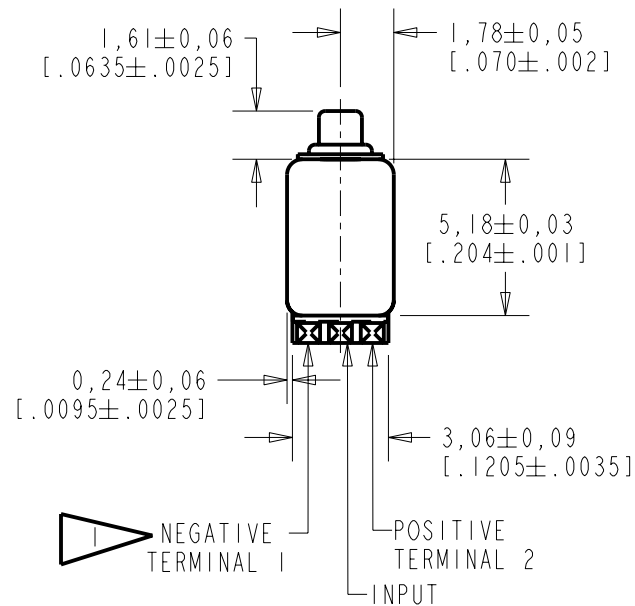
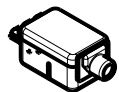
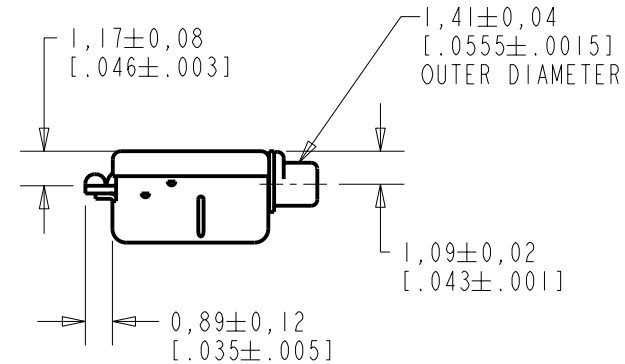
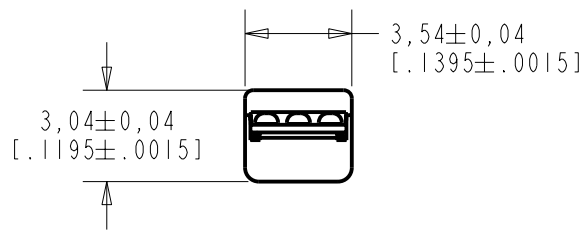


ES-23140-000
SHT 1.1



NOTE:
A POSITIVE GOING VOLTAGE AT THE INPUT TERMINAL CAUSES A DECREASE IN PRESSURE AT THE SOUND OUTLET.



SCALE 2:1

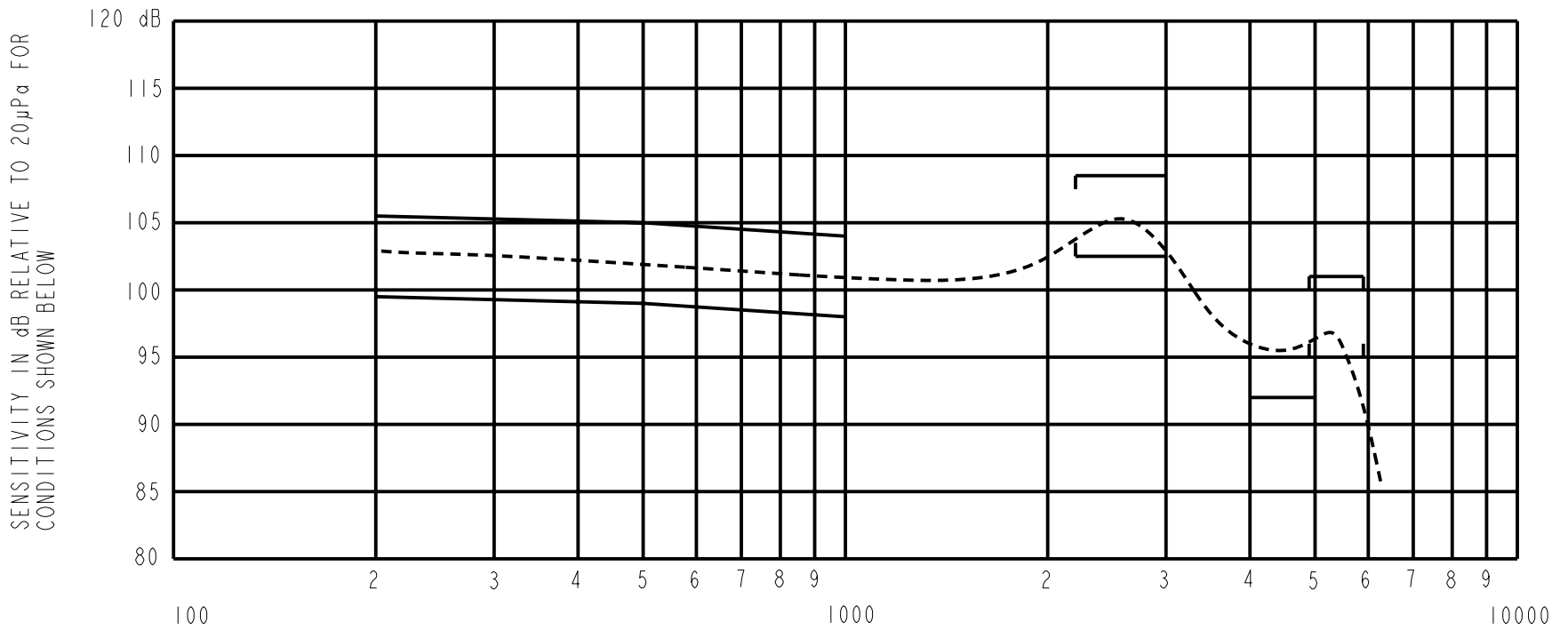
NOMINAL WEIGHT
.23 GRAMS

DIMENSIONS IN MILLIMETERS [INCHES]

KNOWLES ELECTRONICS
ITASCA, ILLINOIS U.S.A.

Revision	C.O. #	Implementation Date	RELEASE LEVEL	REVISION
B	CI0105311	2-15-07	Released	B
A	CI0103509	12-13-05		

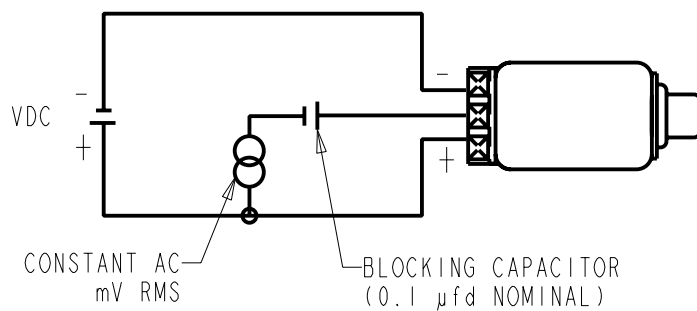
SCALE: 4:1		DR. BY	DATE
DO NOT SCALE DRAWING		AB	12-13-05
TITLE: RECEIVER		CK. BY	DATE
OUTLINE DRAWING		GJP	12-21-05
ES-23140-000		APP. BY	DATE
SHT 1.1		GJP	12-21-05



NOTES:

FREQUENCY IN HERTZ

- MEASUREMENTS MADE USING 10mm (.394") OF 1mm (.039") ID TUBE CONNECTED TO A SIMULATED ANSI S3.7-1973 TYPE HA-3 COUPLER. (IEC 126)
- ELECTRICAL SIGNAL (SEE #5 BELOW).



3.

SENSITIVITY

FREQUENCY	MIN.	MAX.
200	99.5	105.5
500	99.0	105.0
1000	98.0	104.0
2200-3000	102.5	108.5
4000-5000	92.0	---
4900-5900	95.0	101.0

4. RESPONSE AND DISTORTION MEASUREMENTS MADE USING THE ELECTRICAL TEST CONDITIONS SHOWN BELOW.

5. INDIVIDUAL SPECIFICATIONS.

PORT LOCATION	MAX. DC SUPPLY CURRENT, mA		DISTORTION		ELECTRICAL TEST CONDITIONS	
	VDC= 1.3±.02	VDC= 1.5±.02	MAX. %	FREQ Hz	CONSTANT AC mV RMS	VDC
12C	0.375	0.575	5	800	25±1	1.3±.02

Revision	C.O. #	Implementation Date	RELEASE LEVEL	REVISION
B	C10105311	2-15-07	Released	B
A	C10103509	12-13-05		

KNOWLES ELECTRONICS
ITASCA, ILLINOIS U.S.A.

WHEN TEST LIMITS ARE USED TO ESTABLISH INCOMING INSPECTION ACCEPTANCE/REJECTION CRITERIA, CORRELATION OF TEST EQUIPMENT WITH KNOWLES IS ALSO REQUIRED FOR ELIMINATION OF EQUIPMENT AND TEST METHOD VARIATION

TITLE: **RECEIVER**
PERFORMANCE SPECIFICATION

ES-23140-000
SHT 2.1

DR. BY	DATE
AB	12-13-05
CK. BY	DATE
GJP	12-21-05
APP. BY	DATE
GJP	12-21-05